

# MODEL 10

## SOLID FRONT PROCESS PRESSURE GAUGES

*Solid front, blowout back, field fillable model, designed for the rugged applications of the process and power industries which must withstand the effects of corrosive atmosphere, vibration or severe pulsations.*



### SPECIFICATIONS:

Dial Size:	4-1/2"
Accuracy:	±1/2% FS - ANSI Grade 2A
Socket:	316SS or Monel 400
Bourdon Tube:	316SS or Monel
Movement:	SS Rotary Geared with Overload/ Underload Stops
Lens:	Laminated Safety Glass
Pointer:	Micrometer Adjustable
Dial:	Heavy Gage Aluminum
Connection:	1/4" NPT or 1/2" NPT Lower Mount
Range:	See Range Chart
Scales:	psi (metric available)
Fillable:	Rubber membrane included
Blowout Back:	Standard
Protection Standard:	IP65 in accordance with NF EN 60529

### MODEL CODES:

Model 10S	316SS Tube and Socket
Model 10M	Monel Tube and Socket

### CASE STYLE CODES:

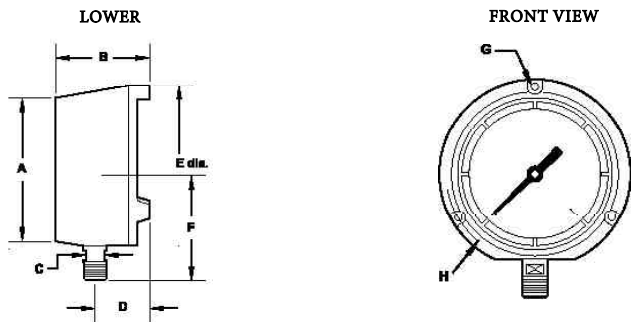
R =	Polypropylene Turret Style Molded Fiberglass Reinforced Thermoplastic
T =	Phenolic Turret Style

Estimated Shipping Weights		
DIAL SIZE	DRY	FILLED
4-1/2"	1 lbs. 11 oz.	2 lbs. 11 oz.

### ► AVAILABLE OPTIONS:

- Fill (glycerine standard)
- Restrictor
- Other Fluids Available
- Oxygen Cleaning (dry only)
- Plastic Lens (acrylic)
- Calibration Certificate

### ► AVAILABLE CASE STYLES AND DIMENSIONS:



DIAL	A	B	C	D	E	F	G	H
R - CASE 4-1/2"	5.08" (129mm)	1.69" (43mm)	.63" (15,9mm)	1.50" (38mm)	5.83" (148mm)	4.02" (102mm)	.22" (5,6mm)	5.39" (137mm)
T-CASE 4-1/2"	5.08" (129mm)	3.11" (79mm)	.63" (15,9mm)	1.67" (42,5mm)	5.83" (148mm)	4.02" (102mm)	.22" (5,6mm)	5.39" (137mm)



**Tel-Tru Manufacturing Company**

408 St. Paul Street, Rochester, New York 14605 USA

Phone: 585-232-1440 • 800-232-5335 • Fax: 585-232-3857 • E-mail: info@teltru.com • Web: www.teltru.com

► **HOW TO ORDER:**

To Build A Part Number: Select one code from each column to build your gauge.

DIAL	MODEL CODE	TUBE & SOCKET	CASE	CONN. SIZE	CONN. LOCATION	CONN. TYPE	RANGE & SCALE	OPTIONS
4-1/2"	<b>45 10</b>	<b>S</b> = 316SS <b>M</b> = Monel	<b>R</b> = Polypropylene <b>T</b> = Phenolic	<b>2</b> = 1/2" <b>4</b> = 1/4"	<b>L</b> = Lower	<b>1</b> = NPT <b>2</b> = BSPT <b>3</b> = BSP straight	See Range Chart	<b>C</b> = Oxygen Clean <b>G</b> = Glycerine Fill <b>P</b> = Plastic Lens <b>R</b> = Restrictor <b>S</b> = Silicone Fill

**Example:**

**Specs:** 4-1/2", Model 10, 316SS, 1/2" Lower, NPT, 0-30 psi, Glycerine Fill

**Select:**

45 10	S	R	2	L	1	C6A	G
-------	---	---	---	---	---	-----	---

**Ordering Format:** 4510SR2L1C6AG

► **STANDARD RANGES:**

CODE = RANGE (psi)	INTERVALS (Hg) (psi)	DIVISIONS (Hg) (psi)	CODE = RANGE (psi)	INTERVALS (psi)	DIVISIONS (psi)	Code = RANGE (psi)	INTERVALS (psi)	DIVISIONS (psi)
<b>V1K</b> = VAC 30" Hg-0	5"	.2"	<b>B7A</b> = 0-15	1	.1	<b>F8A</b> = 0-1000	100	10
<b>Z1A</b> = 30-0-15	5" 3	.5" .2	<b>C6A</b> = 0-30	5	.2	<b>H2A</b> = 0-1500	300	10
<b>Z2A</b> = 30-0-30	10" 5	1" .5	<b>D6A</b> = 0-60	10	.5	<b>H5A</b> = 0-2000	200	20
<b>Z3A</b> = 30-0-60	10" 10	1" 1	<b>D9A</b> = 0-100	10	1	<b>H9A</b> = 0-3000	500	20
<b>Z4A</b> = 30-0-100	30" 10	2" 1	<b>E4A</b> = 0-160	20	2	<b>J8A</b> = 0-5000	500	50
<b>Z6A</b> = 30-0-200	30" 20	5" 2	<b>E5A</b> = 0-200	20	2	<b>K4A</b> = 0-10,000	1000	100
			<b>E8A</b> = 0-300	50	2	<b>K7A</b> = 0-15,000	3000	100
			<b>F2A</b> = 0-400	50	5			
			<b>F4A</b> = 0-600	100	5			
			<b>F7A</b> = 0-800	100	10			

**ALTITUDE RANGES**

CODE = RANGE (ft./H <sub>2</sub> O/psi)	FIGURE INTERVALS (ft.) (psi)	DIVISIONS (ft.) (psi)
<b>C8T</b> = 0-35/0-15	5 3	.5 .25
<b>G1T</b> = 0-70/0-30	5 5	.5 .25
<b>E2T</b> = 0-140/0-60	10 5	1 1
<b>N8T</b> = 0-230/0-100	20 10	5 1
<b>N9T</b> = 0-370/0-160	40 20	5 2
<b>N7T</b> = 0-460/0-200	40 20	10 2
<b>N6T</b> = 0-690/0-300	50 30	10 5

**RECEIVER RANGES**

CODE = RANGE	FIGURE INTERVALS	DIVISIONS
<b>V6V</b> = 3-15 psi (0-100%)	10	1

**AMMONIA RANGES**

CODE = RANGE (psi)	INTERVALS (Hg) (psi)	DIVISIONS (Hg) (psi)
<b>U6Y</b> = 30-0-150	30" 20	5" 2
<b>Z7Y</b> = 30-0-300	30" 20	5" 5

**NOTE: ABOVE 15,000 PSI AVAILABLE ONLY WITH 1/2" BSP STRAIGHT CONNECTION (G'1/2).**